



ELECTROFUSION FITTINGS

FOR METRIC SIZE

www.smartjoint.net



Workshop Area 1



Workshop Area 2

Smart Joint is the manufacturer of high density polyethylene(HDPE) fittings, pipe and fusion machinery since 1992.

Smart Joint products are distributed world widely through our partners and our own branches.

Smart Joint has offered OEM service for many brands for customers from different countries who requires on flexible production, branding, high quality, professional service and confidentiality.

Smart Joint is fully-fledged ISO certified company. These years, Smart Joint make great efforts in large PE fittings(up to 1600mm). They are adpoted in the largest water project-South Water Diverison North Project.

With more than 25 years experience in this industry, Smart Joint has the know-how in this area. With full lines of products, innovative R&D team, Smart Joint are keen to be your one-step factory PE piping system and other requirement.

HDPE Electrofusion Fittings



- Smart Joint produce a full range of HDPE electrofusion fittings. It's main for gas /water application.
- Smart Joint large Electrofusion couplers, saddle branches up to 1600mm are super advantaged products. The quality has been verified in many large water projects.
- In 2017, regular size from 20mm to 400mm for gas market, smart joint realised automatic production which will guarantee higher quality, high efficiency, more competitive in the market for the future.
- All products are approved by Watermark, Standardmark in Australia, WRAS in UK, BV in France.
- All batch of product after release, smart joint provide batch release report to the customers. According to the standard, MFR, OIT, Resistance, Tensile Test, Hydrostatic Pressure Test ect. are recorded in the batch release report.
- Major materials are imported ones such as Borouge HE3490LS, Sabic P6006, Bassel CRP100, Total XS50, Ect.



8 Sets of Automatic EF Fittings Production Lines

High Quality, High Efficiency, Lower Cost



1400mm Electrofusion Coupler and Electrofusion Machine



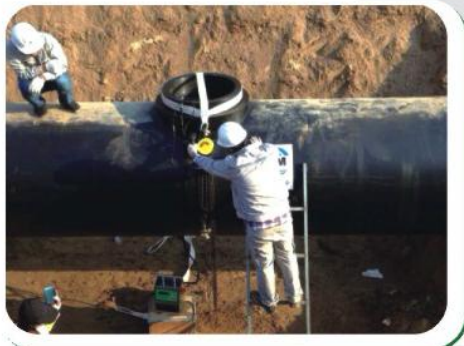
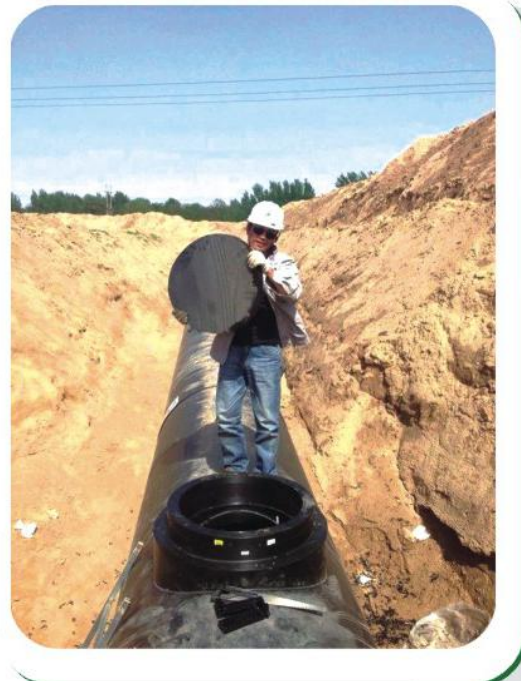
1400mm Electrofusion Coupler Pressure Test



1400mm Electrofusion Coupler Site Installation



1600*630mm Full Electrofusion Saddle Installation On The Site





Easy Under Pressure Drilling Service



Under pressure drilling is a procedure undertaken when a branch connection is required off a live pipe in constant operation. The branch Connection Could be required to bypass a gas pipeline section due for repair, outlet pipe replacement, water pipe alteration or a gas pipe relocation.

With Smart Joint Electrofusion Saddle, PE valve and hole cutting device, under pressure drilling services can be easily and more cost effectively offered, all the contractors can make new branch connections and repairs without requiring a shutdown of existing supplies or loss of production.

Butt Fusion Machine



Electro Fusion Machine



PE-RTII Pipes and Fittings for Hot Water and Industrial Application



PE-RTII is a high performance hexane-based compound primarily intended for hot(80°C) & cold water pipe as well as demanding industrial pipe applications. Smart Joint offers a complete of PE-RTII pipes and fittings up to 400mm.



Certificate



THE INTERNATIONAL CERTIFICATION NETWORK

CERTIFICATE

CQM as an IQNet Partner hereby states that the organization:

Jilin Song Jiang Smart Joint Co., Ltd
 Certification Add.: 1-Building 01, Maound 1-1, Tiangang Economic Development Zone, Jiache City, Jilin, P.R. China
 Post code: 132026

for the following scope:
Manufacture of polyethylene plastic pipe fittings and manufacture of plastic pipe butt fusion equipment product

For the subsidiary site and certification scope to the attachment has implemented and maintains a
Quality Management System

which fulfils the requirements of the following standard:
ISO 9001:2015
Issued on: 2018-01-30
Expires on: 2021-01-29

This abbreviation is directly linked to the IQNet Partner's original certificate and should not be used as a stand alone document

Registration Number: CN-00218Q20642R0M






Michael Drechsel
President of IQNet

Ji Xiaodong
General Manager of CQM

IQNet Partners*
 AENOR Spain APICOR Certification France ANCCR Portugal CCC Cjones CSQ Italy
 CQC China CQM China CQS Czech Republic Cui Cert Croatia DQS Holding GmbH Germany FCV Brazil
 FONDOROMA Venezuela ISONTEC Colombia Inspira Certification Oy Finland INTERO Costa Rica
 IRAM Argentina IQA Algeria IQI Korea IUTEC Greece MISTEC Hungary Nemko AS Norway NSAI Ireland



Approval Number: 1805509
 Test Report: MA8257/7/2

Water Regulations Advisory Scheme Ltd
 Unit 13,
 Willow Road,
 Pan y Fan Industrial Estate,
 Crumlin,
 Gwent,
 NP11 4EG

19th May 2016

Jilin Song Jiang Smart Joint Co. Ltd,
 Tiangang Economic Developing Region,
 Jiache City,
 Jilin Province,
 China

WATER REGULATIONS ADVISORY SCHEME LTD. (WRAS)
MATERIAL APPROVAL

The material referred to in this letter is suitable for contact with wholesome water for domestic purposes having met the requirements of BS6920-1:2000 and/or 2014 'Suitability of non-metallic products for use in contact with water intended for human consumption with regard to their effect on the quality of the water'.

The reference relates solely to its effect on the quality of the water with which it may come into contact and does not signify the approval of its mechanical or physical properties for any use.

POLYETHYLENE - COMPONENTS. 5240

*Smart Joint Fitting: Black coloured, injection moulded HDPE fitting. For use with water up to 60°C.

APPROVAL NUMBER: 1805509
APPROVAL HOLDER: JILIN SONG JIANG SMART JOINT CO. LTD.

The Scheme reserves the right to review approval
 Approval 1805509 is valid between May 2016 and May 2023

An entry, as above, will accordingly be included in the Water Fittings Directory on-line under the section headed, 'Materials which have passed full tests of effect on water quality'.

The Directory may be found at: www.wras.co.uk/directory

Yours faithfully



Jason Fumival
 Approvals & Enquiries Manager
 Water Regulations Advisory Scheme



CERTIFICATE OF CONFORMITY

SAI Global hereby grants:

Jilin Song Jiang Smart Joint Co., Ltd
 Tiangang Economic Developing Region, Jiache, Jilin China.

Watermark Certificate of Conformity - Level 1

Evaluated to:
AS/NZS 4129:2008 - Fittings for polyethylene (PE) pipes for pressure applications

The WaterMark Licensee* the right to use or arrange the use of the WATERMARK as shown below only in respect of the goods described and detailed on the product schedule identified on www.saiglobal.com which are produced by the WaterMark Licensee or on behalf of the WaterMark Licensee* and which comply with the appropriate Standards referred to above as from time to time amended. The License is granted subject to the rules governing the use of the WATERMARK and the Terms and Conditions for certification. The WaterMark Licensee covenants to comply with all the Rules and Terms and Conditions.

Certificate No:WMK25909

Issued: 27 October 2014 Originally Certified: 27 October 2014
 Expires: 26 October 2019 Current Certification: 27 October 2014




Paul Butler
Global Head - Assurance Services

Sameer Chouk
Head of Policy, Risk and Certification




* For details of manufacture, refer to the licensee

The WATERMARK is a registered certification trademark of Standards Australia Limited (ACN 007 337 092) and is issued under license by SAI Global Certification Services Pty. Limited (ACN 129 718 088) (SAI Global) 160 George Street, Sydney NSW 2000, GPO Box 6010, Sydney NSW 2001. The certificate remains the property of SAI Global and must be returned to SAI Global upon its request. Refer to www.saiglobal.com for the list of products issued.




STANDARDSMARK LICENCE

SAI Global hereby grants:

Jilin Song Jiang Smart Joint Co., Ltd
 Tiangang Economic Developing Region, Jiache, Jilin China.

StandardsMark Licence

Manufactured to:
AS/NZS 4129:2008 - Fittings for polyethylene (PE) pipes for pressure applications

The StandardsMark Licensee* the right to use the STANDARDSMARK as shown below only in respect of the goods described and detailed in the Schedule which are produced by the Licensee or on behalf of the Licensee* and which comply with the appropriate Standard referred to above as from time to time amended. The License is granted subject to the rules governing the use of the STANDARDSMARK and the Terms and Conditions for certification and license. The Licensee covenants to comply with all the Rules and Terms and Conditions.

Certificate No:SMK25909

Issued: 27 October 2014 Originally Certified: 27 October 2014
 Expires: 26 October 2019 Current Certification: 27 October 2014




Paul Butler
Global Head - Assurance Services

Sameer Chouk
Head of Policy, Risk and Certification




* For details of manufacture, refer to the licensee

The STANDARDSMARK is a registered certification trademark of SAI Global Limited (A.C.N. 659 644 647) and is issued under license by SAI Global Certification Services Pty. Limited (ACN 129 718 088) (SAI Global) 160 George Street, Sydney NSW 2000, GPO Box 6010, Sydney NSW 2001. The certificate remains the property of SAI Global and must be returned to SAI Global upon its request. Refer to www.saiglobal.com for the list of products issued.



Certificate



BUREAU VERITAS

FACTORY APPROVAL CERTIFICATE

Certificate No.: **FA-INS/NE-16/108-01**

Name of the Factory: **Jilin Song Jiang Smart Joint Co., Ltd.**
 Address of the Factory: **No. 1-1 street, 1-building-01, Tiangang Economic Developing Zoon, Jiaohu City, Jilin Province, P.R.China. 132501**

Type(s) of product manufactured: **PE pipes & PE fittings for water supply**

Type(s) of product manufactured	PE pipes	PE fittings
Applying standards	ISO 4427-2:2007	ISO 4427-3:2007
Material	Polyethylene(PE) 100	Polyethylene(PE) 100 Butt fusion fittings DN20-DN630
Nominal size DN(mm)	DN20-DN630	Electrofusion socket or saddle fitting DN20-DN630
Nominal pressure (bar)	PN4-PN25	PN4-PN25

After examination of the following documents:
 - Quality System Certificate n°(ISO9001:2008) **CQM-22-2002-0062-0001 (2015-01-14 to 2018-01-13)**
 - Factory Audit Report n° **FR-INS/NE-16/108**
 - Test Reports for Type Approval n° **TR-INS/NE-16/108**

The undersigned, inspector of Bureau Veritas, certifies that the above factory meets the applicable requirements of BV procedure GM SI 210 for the production of the following types of PE pipes and fittings listed in **Annex to Certificate**.


This certificate is valid from **October 9th, 2016**
 For a period of three years, ending **October 8th, 2019**

This approval is only valid provided that every semi-annual audit (in annex) is done and found satisfactory by Bureau Veritas, and when no significant changes are made to the audited facility, its production rate and its quality system. These conditions will be assessed during semi-annual audits.

This approval is an integral and indissociable part of the voluntary certification process managed by Bureau Veritas as defined in BV procedure GM SI 210.

Made at: Shanghai Name & signature: 
 On: October 9th, 2016 BV China INS Department Product Manager

Bureau Veritas Greater China, Industry and Facility Division
 No. 1288, Waigao Road, Huangpu District, Shanghai 200011, P.R.C.
 Tel: +86 21 23190001, 23190002, 23190003 | Fax: +86 21 6886 1421



BUREAU VERITAS

FACTORY APPROVAL CERTIFICATE

Certificate No.: **FA-INS/NE-16/108-04**

Name of the Factory: **Jilin Song Jiang Smart Joint Co., Ltd.**
 Address of the Factory: **No. 1-1 street, 1-building-01, Tiangang Economic Developing Zoon, Jiaohu City, Jilin Province, P.R.China. 132501**

Type(s) of product manufactured: **PE pipes & PE fittings for the supply of gaseous fuels**

Type of product manufactured	PE pipes	PE fittings
Applying standards	EN 1555-2:2004	EN 1555-3:2002
Material	Polyethylene(PE) 100	Polyethylene(PE) 100 Butt fusion fittings DN20-DN630
Nominal size DN(mm)	DN20-DN630	Electrofusion socket or saddle fitting DN20-DN630
Minimum wall thickness(e _{min})	SDR11, SDR17.6	SDR11 SDR17.6


After examination of the following documents:
 - Quality System Certificate n°(ISO9001:2008) **CQM-22-2002-0062-0001 (2015-01-14 to 2018-01-13)**
 - Factory Audit Report n° **FR-INS/NE-16/108**
 - Test Reports for Type Approval n° **TR-INS/NE-16/108**

The undersigned, inspector of Bureau Veritas, certifies that the above factory meets the applicable requirements of BV procedure GM SI 210 for the production of the following types of PE pipes and fittings listed in **Annex to Certificate**.

This certificate is valid from **October 9th, 2016**
 For a period of three years, ending **October 8th, 2019**

This approval is only valid provided that every semi-annual audit (in annex) is done and found satisfactory by Bureau Veritas, and when no significant changes are made to the audited facility, its production rate and its quality system. These conditions will be assessed during semi-annual audits.

This approval is an integral and indissociable part of the voluntary certification process managed by Bureau Veritas as defined in BV procedure GM SI 210.

Made at: Shanghai Name & signature: 
 On: October 9th, 2016 BV China INS Department Product Manager

Bureau Veritas Greater China, Industry and Facility Division
 No. 1288, Waigao Road, Huangpu District, Shanghai 200011, P.R.C.
 Tel: +86 21 23190001, 23190002, 23190003 | Fax: +86 21 6886 1421



BUREAU VERITAS

FACTORY APPROVAL CERTIFICATE

Certificate No.: **FA-INS/NE-16/108-03**

Name of the Factory: **Jilin Song Jiang Smart Joint Co., Ltd.**
 Address of the Factory: **No. 1-1 street, 1-building-01, Tiangang Economic Developing Zoon, Jiaohu City, Jilin Province, P.R.China. 132501**

Type(s) of product manufactured: **PE pipes & PE fittings for the supply of gaseous fuels**

Type of product manufactured	PE pipes	PE fittings
Applying standards	ISO 4437-2:2014	ISO 4437-3:2014
Material	Polyethylene(PE) 100	Polyethylene(PE) 100 Butt fusion fittings DN20-DN630
Nominal size DN(mm)	DN20-DN630	Electrofusion socket or saddle fitting DN20-DN630
Minimum wall thickness(e _{min})	SDR9-SDR26	SDR9-SDR26

After examination of the following documents:
 - Quality System Certificate n°(ISO9001:2008) **CQM-22-2002-0062-0001 (2015-01-14 to 2018-01-13)**
 - Factory Audit Report n° **FR-INS/NE-16/108**
 - Test Reports for Type Approval n° **TR-INS/NE-16/108**

The undersigned, inspector of Bureau Veritas, certifies that the above factory meets the applicable requirements of BV procedure GM SI 210 for the production of the following types of PE pipes and fittings listed in **Annex to Certificate**.

This certificate is valid from **October 9th, 2016**
 For a period of three years, ending **October 8th, 2019**

This approval is only valid provided that every semi-annual audit (in annex) is done and found satisfactory by Bureau Veritas, and when no significant changes are made to the audited facility, its production rate and its quality system. These conditions will be assessed during semi-annual audits.

This approval is an integral and indissociable part of the voluntary certification process managed by Bureau Veritas as defined in BV procedure GM SI 210.

Made at: Shanghai Name & signature: 
 On: October 9th, 2016 BV China INS Department Product Manager

Bureau Veritas Greater China, Industry and Facility Division
 No. 1288, Waigao Road, Huangpu District, Shanghai 200011, P.R.C.
 Tel: +86 21 23190001, 23190002, 23190003 | Fax: +86 21 6886 1421



BUREAU VERITAS

FACTORY APPROVAL CERTIFICATE

Certificate No.: **FA-INS/NE-16/108-02**

Name of the Factory: **Jilin Song Jiang Smart Joint Co., Ltd.**
 Address of the Factory: **No. 1-1 street, 1-building-01, Tiangang Economic Developing Zoon, Jiaohu City, Jilin Province, P.R.China. 132501**

Type(s) of product manufactured: **PE pipes & PE fittings for water supply, and for drainage and sewerage under pressure**

Type(s) of product manufactured	PE pipes	PE fittings
Applying standards	EN 12201-2:2011	EN 12201-3:2011
Material	Polyethylene(PE) 100	Polyethylene(PE) 100 Butt fusion fittings DN20-DN630
Nominal size DN(mm)	DN20-DN630	Electrofusion socket or saddle fitting DN20-DN630
Nominal pressure (bar)	PN4-PN25	PN4-PN25

After examination of the following documents:
 - Quality System Certificate n°(ISO9001:2008) **CQM-22-2002-0062-0001 (2015-01-14 to 2018-01-13)**
 - Factory Audit Report n° **FR-INS/NE-16/108**
 - Test Reports for Type Approval n° **TR-INS/NE-16/108**

The undersigned, inspector of Bureau Veritas, certifies that the above factory meets the applicable requirements of BV procedure GM SI 210 for the production of the following types of PE pipes and fittings listed in **Annex to Certificate**.

This certificate is valid from **October 9th, 2016**
 For a period of three years, ending **October 8th, 2019**

This approval is only valid provided that every semi-annual audit (in annex) is done and found satisfactory by Bureau Veritas, and when no significant changes are made to the audited facility, its production rate and its quality system. These conditions will be assessed during semi-annual audits.

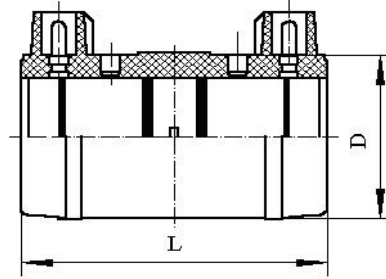
This approval is an integral and indissociable part of the voluntary certification process managed by Bureau Veritas as defined in BV procedure GM SI 210.

Made at: Shanghai Name & signature: 
 On: October 9th, 2016 BV China INS Department Product Manager

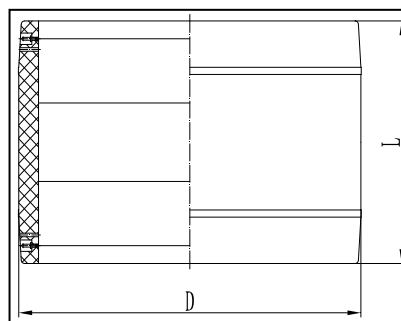
Bureau Veritas Greater China, Industry and Facility Division
 No. 1288, Waigao Road, Huangpu District, Shanghai 200011, P.R.C.
 Tel: +86 21 23190001, 23190002, 23190003 | Fax: +86 21 6886 1421

Electrofusion Coupler PE100 SDR11

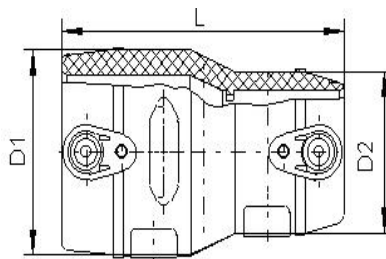
ISO 4437/4427
EN1555/12201



Code	Size(mm)	SDR	L(mm)	D(mm)	Unit Weight(KG)	QTY /Box
EFCL20A	20	11	80	34	0.052	450
EFCL25A	25	11	80	39	0.055	400
EFCL32A	32	11	81	43	0.065	200
EFCL40A	40	11	86	52	0.075	150
EFCL50A	50	11	95	63.2	0.15	100
EFCL63A	63	11	102	77	0.23	70
EFCL75A	75	11	110	91	0.35	45
EFCL90A	90	11	126	110	0.38	33
EFCL110A	110	11	142	134	0.64	18
EFCL125A	125	11	146	150	1.14	10
EFCL140A	140	11	160	170	1.45	8
EFCL160A	160	11	172	192	1.92	6
EFCL180A	180	11	210	227	2.9	4
EFCL200A	200	11	200	240	2.7	4
EFCL225A	225	11	220	273	3.5	4
EFCL250A	250	11	216	307	5.04	3
EFCL280A	280	11	247	362	6.07	2
EFCL315A	315	11	234	384	9.1	1
EFCL355A	355	11	295	428	11.36	1
EFCL400A	400	11	295	473	15.36	1



Code	Size(mm)	SDR	L(mm)	D(mm)	Unit Weight(KG)	QTY/ Package
EFCL450A	450	11	340	546	28	20
EFCL500A	500	11	355	604	37.8	20
EFCL560A	560	11	384	678	48.83	10
EFCL630A	630	11	400	765	61	8
EFCL710A	710	11	430	850	73.7	8
EFCL800A	800	11	450	960	92.3	4
EFCL450B	450	17	340	518	17.64	20
EFCL500B	500	17	355	574	22.26	20
EFCL560B	560	17	384	646	26	10
EFCL630B	630	17	400	715	38.8	8
EFCL710B	710	17	390	800	45.8	8
EFCL800B	800	17	400	910	62	4
EFCL900B	900	17	450	1022	83	3
EFCL1000B	1000	17	504	1135	122	3
EFCL1100B	1100	17	500	1245	137	3
EFCL1200B	1200	17	505	1360	182	3
EFCL900C	900	21/26	450	1000	80	3
EFCL1000C	1000	21/26	500	1110	92.2	3
EFCL1100C	1100	21/26	500	1220	107	3
EFCL1200C	1200	21/26	505	1330	125.2	3
EFCL1400C	1400	21/26	505	1550	168.6	3

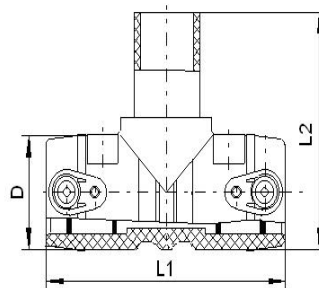


Code	Size(mm)	SDR	L(mm)	D1(mm)	D2(mm)	Unit Weight(KG)	QTY /Box
EFR3225A	32-25	11	88	42	43	0.074	300
EFR4032A	40-32	11	98	53	45	0.08	200
EFR5032A	50-32	11	110	67	45	0.132	150
EFR5040A	50-40	11	109	66	53	0.14	150
EFR6332A	63-32	11	124	82	46	0.195	70
EFR6340A	63-40	11	124	83	57	0.19	70
EFR6350A	63-50	11	124	82	67	0.225	60
EFR7563A	75-63	11	143	95	81	0.34	36
EFR9063A	90-63	11	158	114	81	0.465	24
EFR9075A	90-75	11	158	114	95	0.55	24
EFR11063A	110-63	11	156	138	81	0.685	20
EFR11075A	110-75	11	160	138	82	0.9	16
EFR11090A	110-90	11	178	138	114	0.8	16
EFR12590A	125-90	11	197	158	115	1.07	10
EFR16090A	160-90	11	215	198	131	1.56	8
EFR160110A	160-110	11	215	198	135	1.82	8

Electrofusion Equal Tee

PE100 SDR11

ISO 4437/4427
EN1555/12201

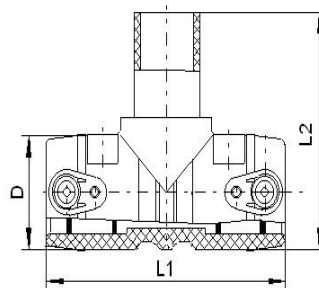


Code	Size(mm)	SDR	L1(mm)	L2(mm)	D(mm)	Unit Weight(KG)	QTY /Box
EFT20A	20-20-20	11	88	42	31	0.065	350
EFT25A	25-25-25	11	109	79	36	0.079	300
EFT32A	32-32-32	11	115	92	44	0.112	150
EFT40A	40-40-40	11	146	107	51	0.175	100
EFT50A	50-50-50	11	174	130	65	0.312	50
EFT63A	63-63-63	11	195	146	77	0.455	25
EFT75A	75-75-75	11	203	171	92	0.7	16
EFT90A	90-90-90	11	233	200	109	1.005	12
EFT110A	110-110-110	11	270	218	131	1.61	6
EFT160A	160-160-160	11	340	298	188	3.45	2

Electrofusion Reducing Tee

PE100 SDR11

ISO 4437/4427
EN1555/12201

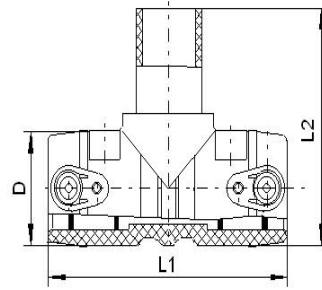


Code	Size	SDR	L1(mm)	L2(mm)	D(mm)	Unit Weight(KG)	QTY /Box
EFT2520A	25-20-25	11	109	78	36	0.08	300
EFT3225A	32-25-32	11	115	92	45	0.102	150
EFT4025A	40-25-40	11	146	117	54	0.175	100
EFT4032A	40-32-40	11	146	117	53	0.185	100
EFT5032A	50-32-50	11	174	129	65	0.311	50
EFT5040A	50-40-50	11	174	128	66	0.312	50
EFT6332A	63-32-63	11	150	140	76	0.276	25
EFT6340A	63-40-63	11	150	140	75	0.279	25
EFT6350A	63-50-63	11	195	144	77	0.444	25
EFT7550A	75-50-75	11	204	171	92	0.68	16
EFT7563A	75-63-75	11	203	171	91	0.7	16
EFT9040A	90-40-90	11	200	175	108	0.77	12
EFT9050A	90-50-90	11	200	178	109	0.76	12
EFT9063A	90-63-90	11	200	178	110	0.8	12
EFT9075A	90-75-90	11	234	196	110	0.98	12
EFT11040A	110-40-110	11	222	198	133	1.19	6
EFT11050A	110-50-110	11	222	199	132	1.16	6
EFT11063A	110-63-110	11	223	200	132	1.15	6
EFT11090A	110-90-110	11	269	216	132	1.64	6

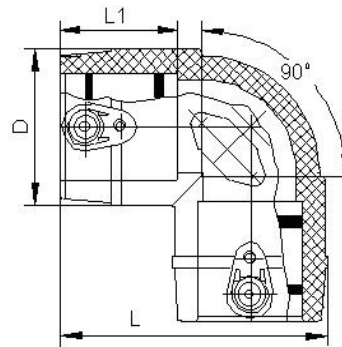
Electrofusion Reducing Tee

PE100 SDR11

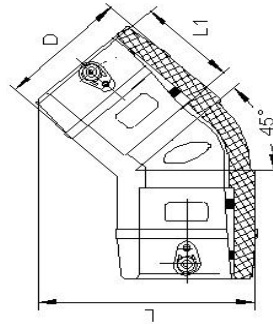
ISO 4437/4427
EN1555/12201



Code	Size	SDR	L1(mm)	L2(mm)	D(mm)	Unit Weight(KG)	QTY /Box
EFT16063A	160-63-160	11	287	294	193	3.1	3
EFT16090A	160-90-160	11	288	293	193	3.11	3
EFT160110A	160-110-160	11	286	291	193	3.15	3
EFT20063A	200-63-200	11	296	318	242	4.45	3
EFT20090A	200-90-200	11	298	338	242	4.58	2
EFT200110A	200-110-200	11	298	339	242	4.75	2



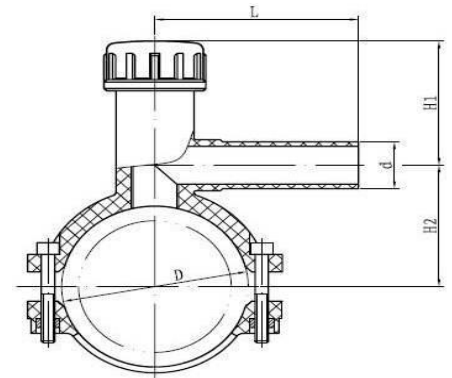
Code	Size(mm)	SDR	L(mm)	L1(mm)	D(mm)	Unit Weight(KG)	QTY /Box
EFL920A	20×90°	11	48	32	31	0.075	400
EFL925A	25×90°	11	74	36	39	0.08	300
EFL932A	32×90°	11	84	42	49	0.116	200
EFL940A	40×90°	11	102	45	59	0.175	120
EFL950A	50×90°	11	117	50	68	0.245	60
EFL963A	63×90°	11	128	53	84	0.345	40
EFL975A	75×90°	11	152	60	95	0.545	23
EFL990A	90×90°	11	180	70	116	0.9	15
EFL9110A	110×90°	11	217	81	141	0.76	6
EFL9160A	160×90°	11	283	89	199	3.46	3
EFL9200A	200×90°	11	346	99	246	5.775	2



Code	Size(mm)	SDR	L(mm)	L1(mm)	D(mm)	Unit Weight(KG)	QTY /Box
EFL440A	40×45°	11	85	50	54	0.11	130
EFL450A	50×45°	11	101	55	64	0.164	60
EFL463A	63×45°	11	115	59	80	0.245	40
EFL475A	75×45°	11	140	63	99	0.51	23
EFL490A	90×45°	11	160	85	114	0.715	15
EFL4110A	110×45°	11	195	90	139	1.225	7
EFL4160A	160×45°	11	259	92	190	2.47	3

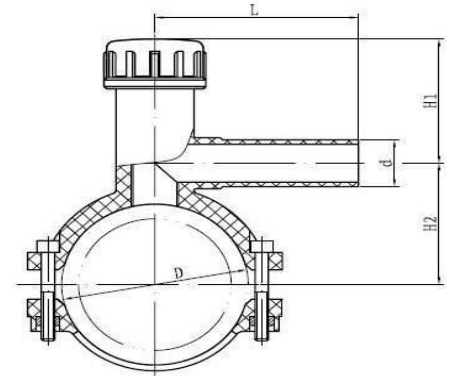


Code	Type	Size	SDR	QTY /Box	N.W (KG)
NSQJ2012	Female	20*1/2"	11	500	0.063
NSQJ2534	Female	25*3/4"	11	400	0.12
NSQJ321	Female	32*1"	11	300	0.2
NSQJ40114	Female	40*1 1/4"	11	72	0.28
NSQJ50112	Female	50*1 1/2"	11	50	0.35
NSQJ632	Female	63*2"	11	22	0.58
NSQJ903	Female	90*3"	11		
WSQJ2012	Male	20*1/2"	11	500	0.063
WSQJ2534	Male	25*3/4"	11	400	0.12
WSQJ321	Male	32*1"	11	300	0.2
WSQJ40114	Male	40*1 1/4"	11	72	0.28
WSQJ50112	Male	50*1 1/2"	11	50	0.35
WSQJ632	Male	63*2"	11	22	0.58



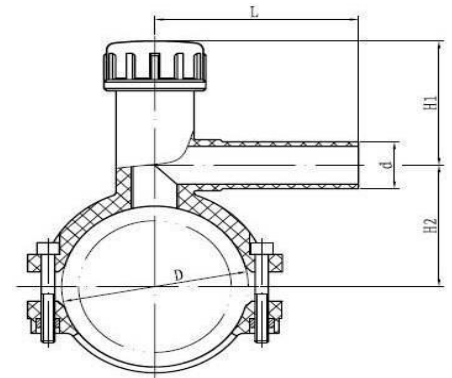
Type A with clamp kits in the photo

Code	Size(mm)	SDR	L(mm)	H1 (mm)	Unit Weight(KG)	QTY /Box	Remark
EFTA6320A	63-20	11	120	113	0.45	30	Type A
EFTA6325A	63-25	11	120	113	0.45	30	Type A
EFTA6332A	63-32	11	120	113	0.45	30	Type A
EFTA9020A	90-20	11	120	113	0.6	30	Type A
EFTA9025A	90-25	11	120	113	0.6	30	Type A
EFTA9032A	90-32	11	120	113	0.6	30	Type A
EFTA11020A	110-20	11	120	113	0.7	25	Type A
EFTA11025A	110-25	11	120	113	0.7	25	Type A
EFTA11032A	110-32	11	120	113	0.7	25	Type A
EFTA12520A	125-20	11	120	113	0.7	25	Type A
EFTA12525A	125-25	11	120	113	0.7	25	Type A
EFTA12532A	125-32	11	120	113	0.7	25	Type A



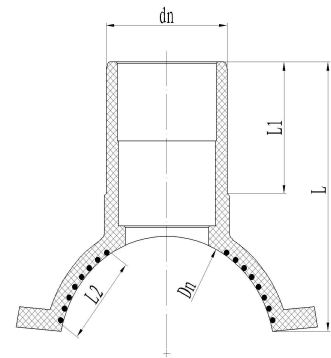
Type B with clamp kits in the photo

Code	Size(mm)	SDR	L(mm)	H1 (mm)	Unit Weight(K G)	QTY /Box	Remark
EFTA16020A	160-20	11	120	118	0.9	20	Type B
EFTA16025A	160-25	11	120	118	0.9	20	Type B
EFTA16032A	160-32	11	120	118	0.9	20	Type B
EFTA18020A	180-20	11	120	118	0.9	20	Type B
EFTA18025A	180-25	11	120	118	0.9	20	Type B
EFTA18032A	180-32	11	120	118	0.9	20	Type B
EFTA20020A	200-20	11	120	118	0.9	20	Type B
EFTA20025A	200-25	11	120	118	0.9	20	Type B
EFTA20032A	200-32	11	120	118	0.9	20	Type B
EFTA22520A	225-20	11	120	118	0.9	20	Type B
EFTA22525A	225-25	11	120	118	0.9	20	Type B
EFTA22532A	225-32	11	120	118	0.9	20	Type B



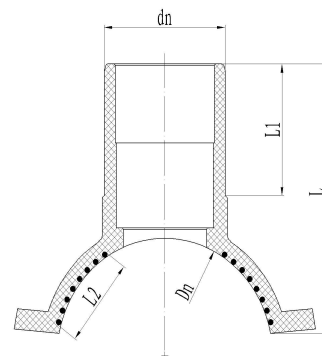
Type C with clamp kits in the photo

Code	Size(mm)	SDR	L(mm)	H1 (mm)	Unit Weight (KG)	QTY /Box	Remark
EFTA11063A	110-63	11	165	191	1.7	10	Type C
EFTA12563A	125-63	11	165	191	1.7	10	Type C
EFTA14063A	140-63	11	165	191	1.7	10	Type C
EFTA16063A	160-63	11	165	191	1.7	10	Type C
EFTA18063A	180-63	11	165	191	1.7	10	Type C
EFTA20063A	200-63	11	165	191	1.7	10	Type C
EFTA22563A	225-63	11	165	191	1.7	10	Type C
EFTA25063A	250-63	11	165	191	1.7	10	Type C
EFTA28063A	280-63	11	165	191	1.7	10	Type C
EFTA31563A	315-63	11	165	191	1.7	10	Type C
EFTA35563A	355-63	11	165	191	1.7	10	Type C
EFTA40063A	400-63	11	165	191	1.7	10	Type C



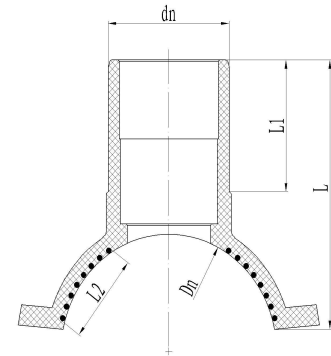
Type C with clamp kits in the photo

Code	Size(mm)	SDR	L(mm)	L1 (mm)	Unit Weight (KG)	QTY /Box	Remark
EFSA9063A	90-63	11	132	69	1	15	Type A
EFSA11063A	110-63	11	195	132	1.2	15	Type C
EFSA12563A	125-63	11	195	132	1.2	15	Type C
EFSA14063A	140-63	11	195	132	1.2	10	Type C
EFSA16063A	160-63	11	190	139	1.2	10	Type C
EFSA18063A	180-63	11	190	139	1.2	10	Type C
EFSA20063A	200-63	11	185	134	1.2	10	Type C
EFSA22563A	225-63	11	185	134	1.2	10	Type C
EFSA25063A	250-63	11	185	134	1.2	10	Type C
EFSA28063A	280-63	11	185	134	1.2	10	Type C
EFSA31563A	315-63	11	185	134	1.2	10	Type C
EFSA35563A	355-63	11	185	134	1.2	10	Type C
EFSA40063A	400-63	11	185	134	1.2	10	Type C



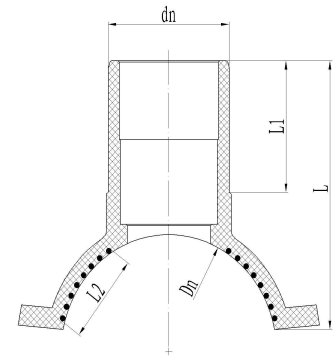
Type C with clamp kits in the photo

Code	Size(mm)	SDR	L(mm)	L1 (mm)	Unit Weight (KG)	QTY /Box	Remark
EFSA16090A	160-90	11	184	90	1.5	10	Type C
EFSA18090A	180-90	11	184	90	1.5	10	Type C
EFSA20090A	200-90	11	184	90	1.5	10	Type C
EFSA160110A	160-110	11	168	88	1.7	6	Type C
EFSA180110A	180-110	11	168	88	1.7	6	Type C
EFSA200110A	200-110	11	168	88	1.7	6	Type C
EFSA225110A	225-110	11	180	86	1.7	6	Type C
EFSA250110A	250-110	11	132	86	1.7	6	Type C
EFSA160125A	160-125	11	211	90	2	6	Type C
EFSA180125A	180-125	11	211	90	2	6	Type C
EFSA200125A	200-125	11	211	90	2	6	Type C
EFSA225125A	225-125	11	211	90	2	6	Type C
EFSA250125A	250-125	11	211	90	2	6	Type C



Type D with clamp kits in the photo

Code	Size(mm)	SDR	L(mm)	L1 (mm)	Unit Weight(KG)	QTY /Box	Remark
EFS45063A	450-63	11	185	134	1.7	15	Type D
EFS50063A	500-63	11	185	134	1.7	15	Type D
EFS56063A	560-63	11	185	134	1.7	15	Type D
EFS63063A	630-63	11	185	134	1.7	15	Type D
EFS71063A	710-63	11	185	134	1.7	15	Type D
EFS80063A	800-63	11	185	134	1.7	15	Type D
EFS90063A	900-63	11	185	134	1.7	15	Type D
EFS100063A	1000-63	11	185	134	1.7	15	Type D
EFS120063A	1200-63	11	185	134	1.7	15	Type D
EFS160063A	1600-63	11	185	134	1.7	15	Type D



Type D with clamp kits in the photo

Code	Size(mm)	SDR	L(mm)	L1 (mm)	Unit Weight(KG)	QTY /Box	Remark
EFS A280110A	280*110	11	132	86	1.7	6	Type D
EFS A315110A	315*110	11	132	86	1.7	6	Type D
EFS A355110A	355*110	11	132	86	1.7	6	Type D
EFS A400110A	400*110	11	132	86	1.7	6	Type D
EFS A450110A	450*110	11	132	86	1.7	6	Type D
EFS A500110A	500*110	11	132	86	1.7	6	Type D
EFS A560110A	560*110	11	132	86	1.7	6	Type D
EFS A630110A	630*110	11	132	86	1.7	6	Type D
EFS A710110A	710*110	11	132	86	1.7	6	Type D
EFS A800110A	800*110	11	132	86	1.7	6	Type D
EFS A280125A	280*125	11	211	90	2	6	Type D
EFS A315125A	315*125	11	211	90	2	6	Type D
EFS A355125A	355*125	11	211	90	2	6	Type D
EFS A400125A	400*125	11	211	90	2	6	Type D
EFS A450125A	450*125	11	211	90	2	6	Type D
EFS A500125A	500*125	11	211	90	2	6	Type D
EFS A560125A	560*125	11	211	90	2	6	Type D
EFS A630125A	630*125	11	211	90	2	6	Type D
EFS A710125A	710*125	11	211	90	2	6	Type D
EFS A800125A	800*125	11	211	90	2	6	Type D



Type D with clamp kits in the photo

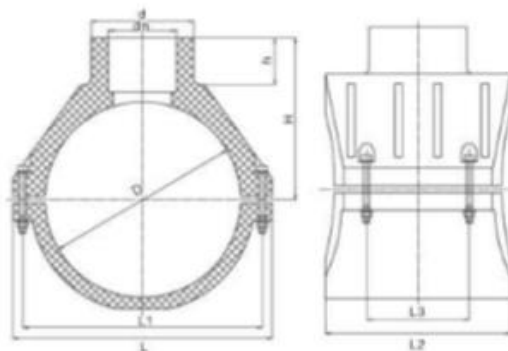
dn Dn	315	355	400	450	500	560	630	710	800	900	1000	11 00	12 00	14 00	16 00
160	√	√	√	√	√	√	√	√	√	√	√	√	√	√	√
180		√	√	√	√	√	√	√	√	√	√	√	√	√	√
200			√	√	√	√	√	√	√	√	√	√	√	√	√
225				√	√	√	√	√	√	√	√	√	√	√	√
250					√	√	√	√	√	√	√	√	√	√	√
280						√	√	√	√	√	√	√	√	√	√
315							√	√	√	√	√	√	√	√	√
355								√	√	√	√	√	√	√	√
400									√	√	√	√	√	√	√
450										√	√	√	√	√	√
500											√	√	√	√	√
560												√	√	√	√
630													√	√	√



- Weighing Indicator
- Connection Hook
- Chain Hoist
- Top Clamping Strap
- Bottom Clamping Belt

Super Electrofusion Saddle For Under Pressure Drilling PE100 SDR11

ISO 4437/4427
EN1555/12201

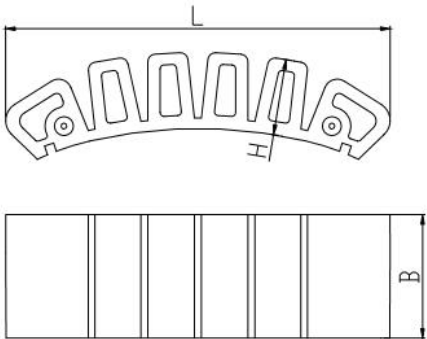


Code	D	dn	d	H	h	L	L1	L2	L3
SEFSA250110A	250	110	160	235	95	345	315	285	130
SEFSA250160A	250	160	210	247	95	345	315	285	130
SEFSA315110A	315	110	160	268	95	442	402	320	150
SEFSA315160A	315	200	210	280	95	442	402	320	150
SEFSA315200A	315	200	200	280	135	442	402	320	150
SEFSA355110A	355	110	160	293	95	480	440	320	150
SEFSA355160A	355	160	210	305	95	480	440	320	150
SEFSA355200A	355	200	200	305	135	480	440	320	150
SEFSA400110A	400	110	160	319	95	530	490	380	210
SEFSA400160A	400	160	210	331	95	530	490	380	210
SEFSA400200A	400	200	200	331	135	530	490	380	210



**Smart Joint
Under Pressure Drilling Tool Set**





Code	Suitable for Pipe Size (mm)	L(mm)	H(mm)	B(mm)
EFA160630	160-630	268	45	45
EFA7101600	710-1600	210	45	65

